

# I pt Perspective

Made EZ

Draw a 2x2 boxes with roofs 1 pt

Made EZ

## **Perspective Terms and Abbreviations**

### **Horizon Line - HL**

Line that represents where the sky meets the land. Vanishing points will always be on the horizon line.

### **Vanishing Point - VP**

Point at which all parallel lines converge. There are 1, 2, and 3 point perspectives. If you have more than 1 VP, label them VP 1, VP 2...

### **Ground Measure Line - GML**

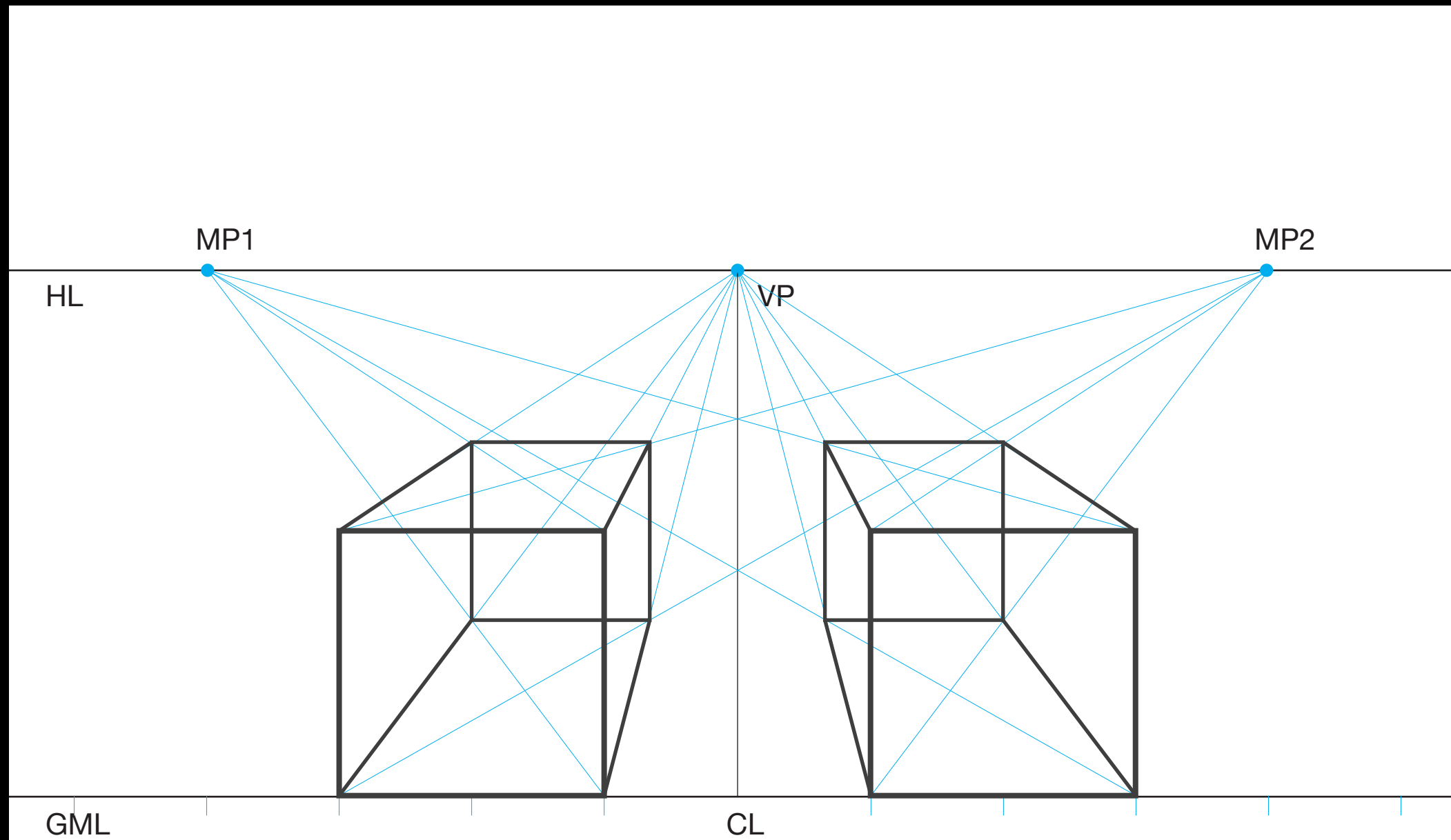
Baseline used for all measuring within perspective.

### **Centerline - CL**

Line that represents the center of 1 point perspective or the place where 1 and 2 point perspectives meet.

### **Measuring Point - MP**

Point used to measure to the GML. By drawing from the MP to a place on the GML, you can find where a measurement is in perspective.



Create 2 2x2 inch boxes in 1 point perspective.  
Boxes should be 2 inches apart.

