

I pt Perspective

Made EZ

Drawing Ellipses 1 pt

Made EZ

Perspective Terms and Abbreviations

Horizon Line - HL

Line that represents where the sky meets the land. Vanishing points will always be on the horizon line.

Vanishing Point - VP

Point at which all parallel lines converge. There are 1, 2, and 3 point perspectives. If you have more than 1 VP, label them VP 1, VP 2...

Ground Measure Line - GML

Baseline used for all measuring within perspective.

Centerline - CL

Line that represents the center of 1 point perspective or the place where 1 and 2 point perspectives meet.

Measuring Point - MP

Point used to measure to the GML. By drawing from the MP to a place on the GML, you can find where a measurement is in perspective.

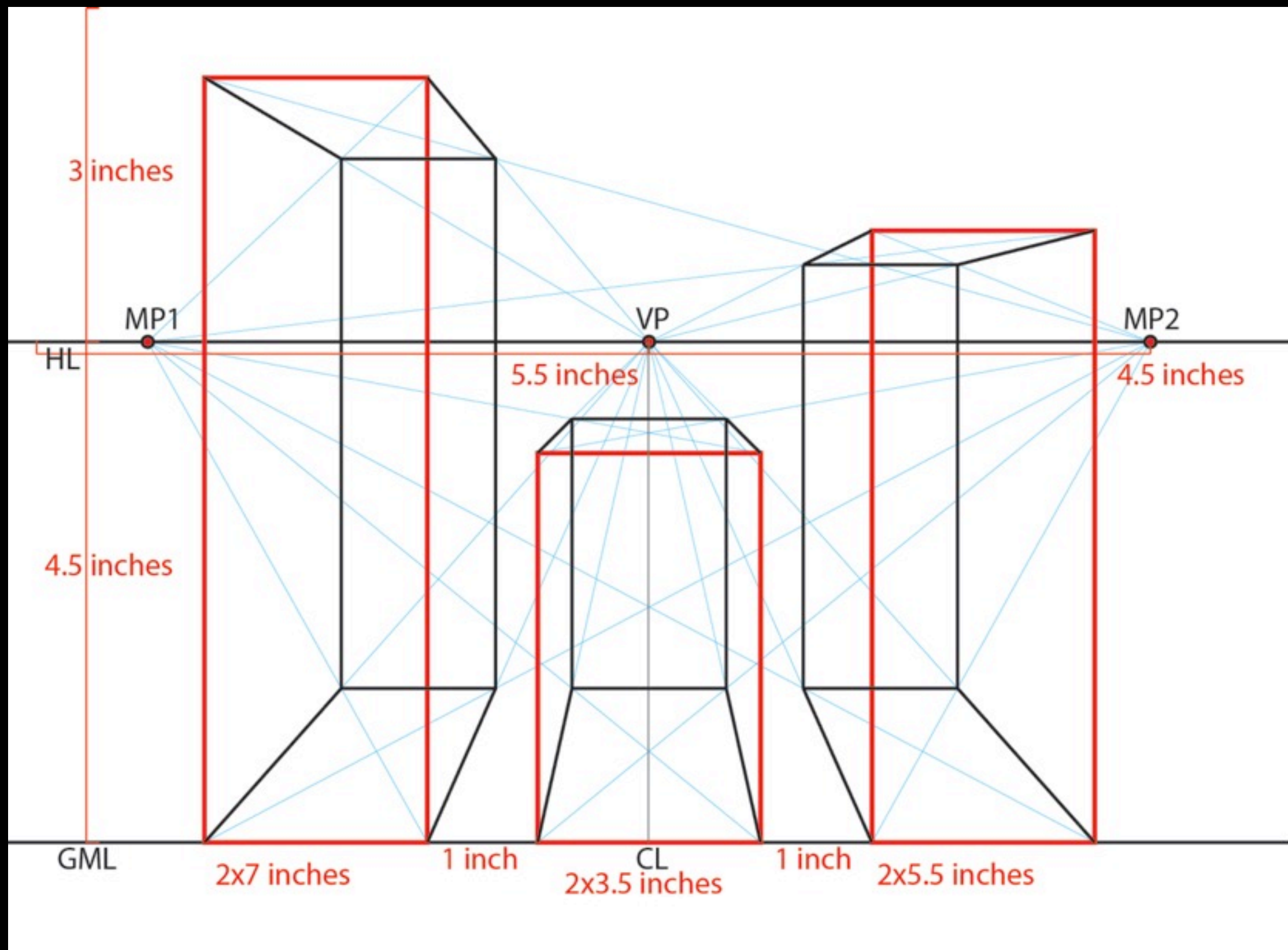
Measurements;

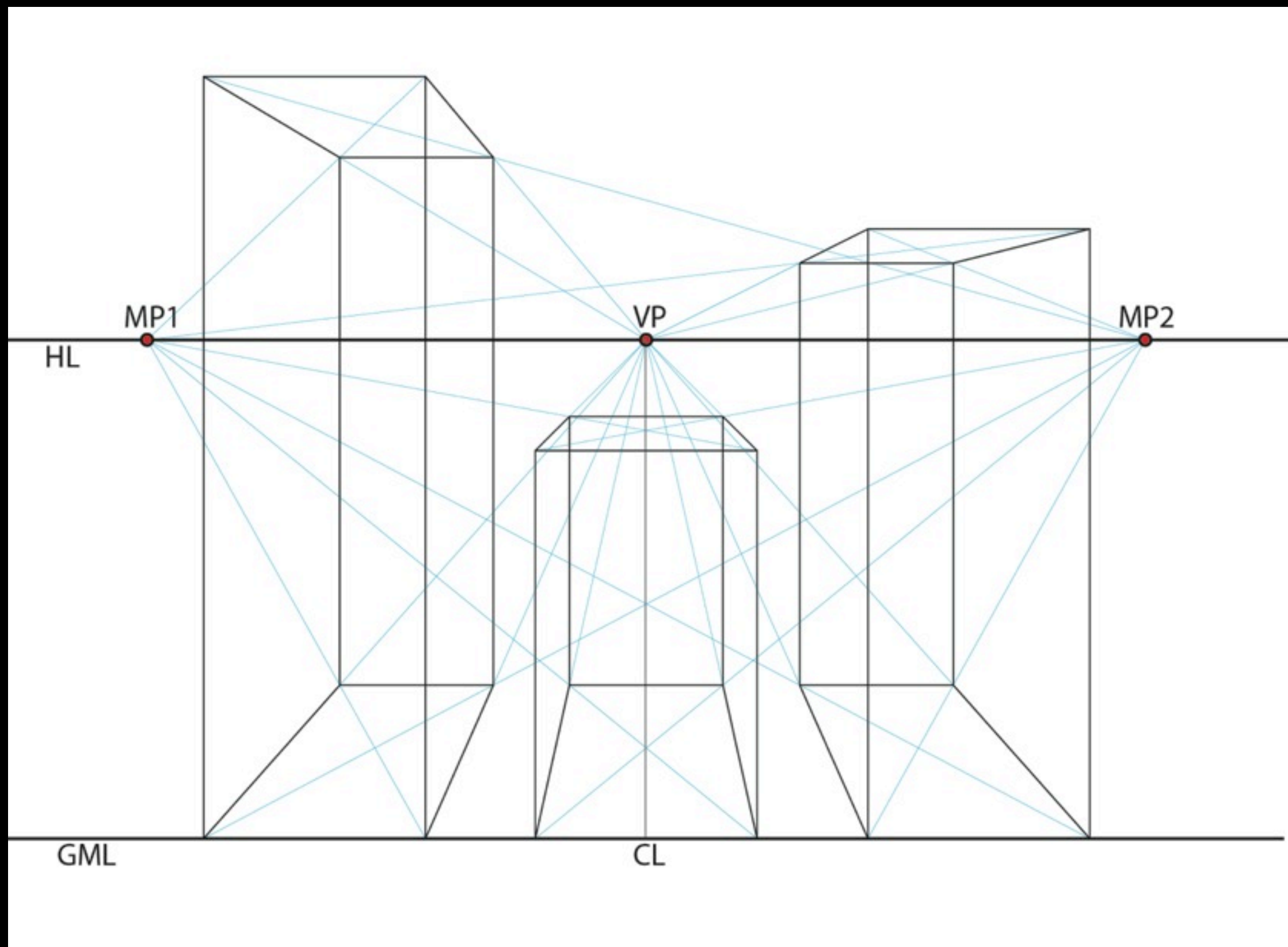
HL 3 inches down from top

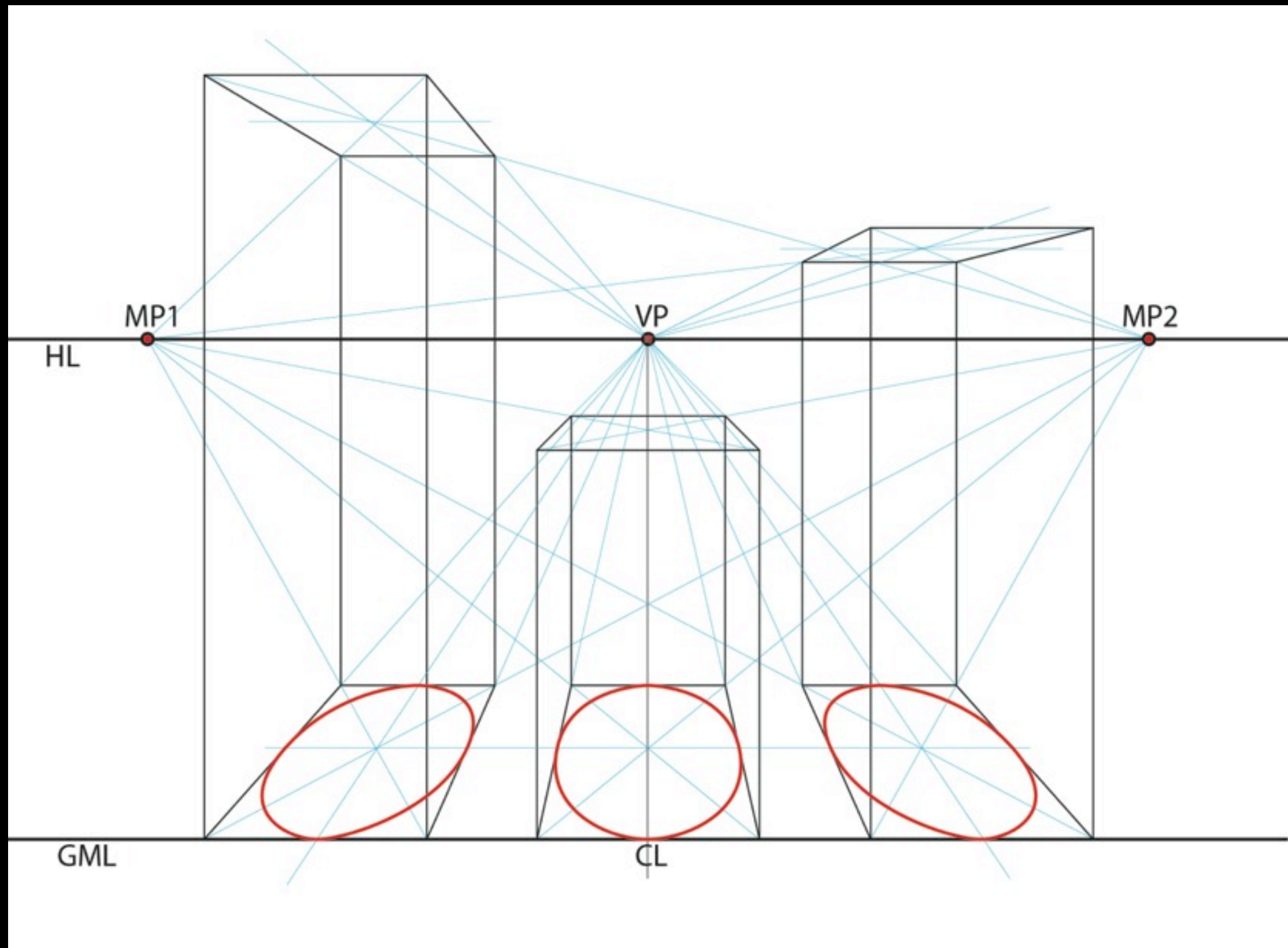
GML 4.5 inches down from HL

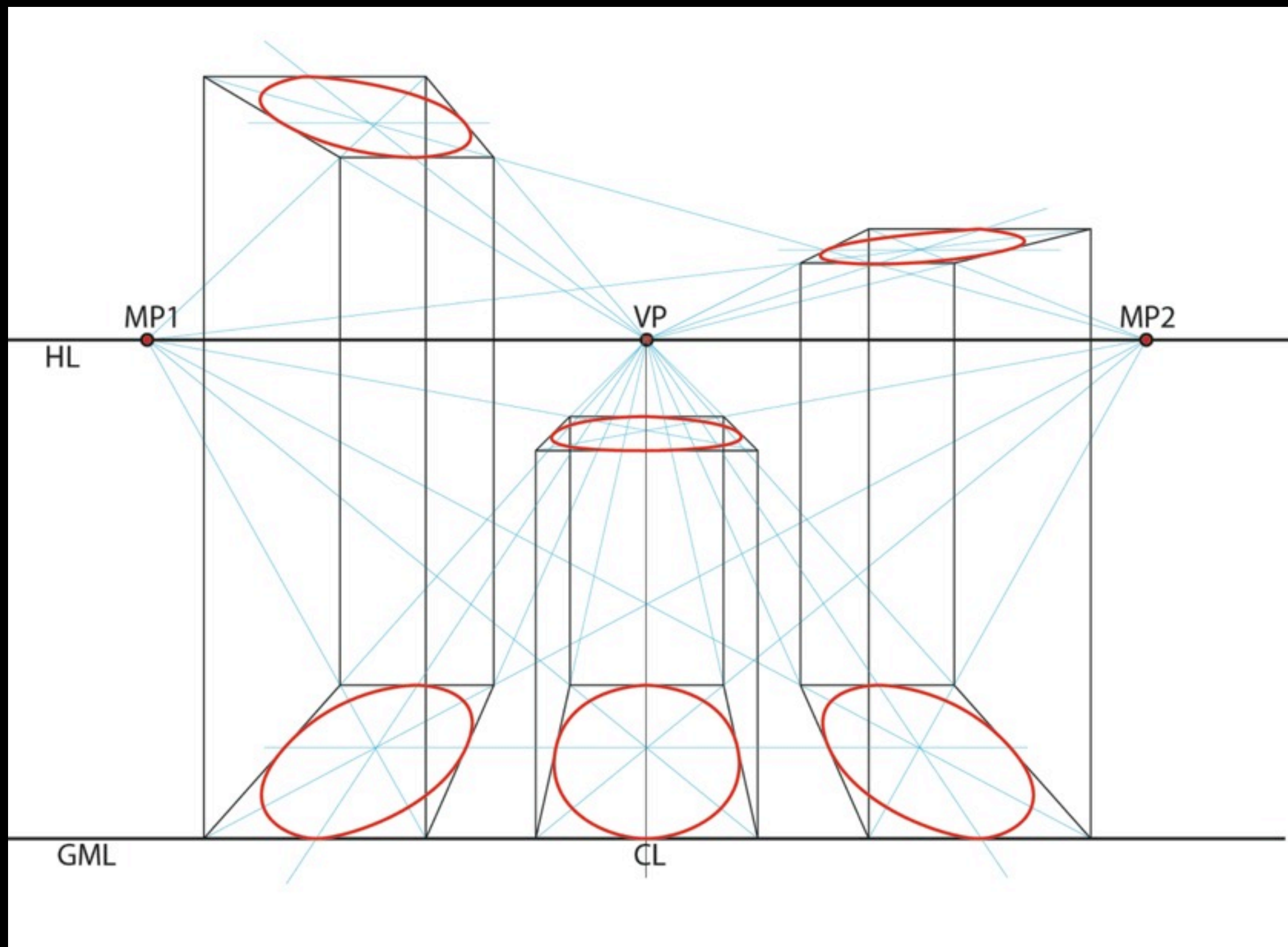
VP 5.5 inches from side of page

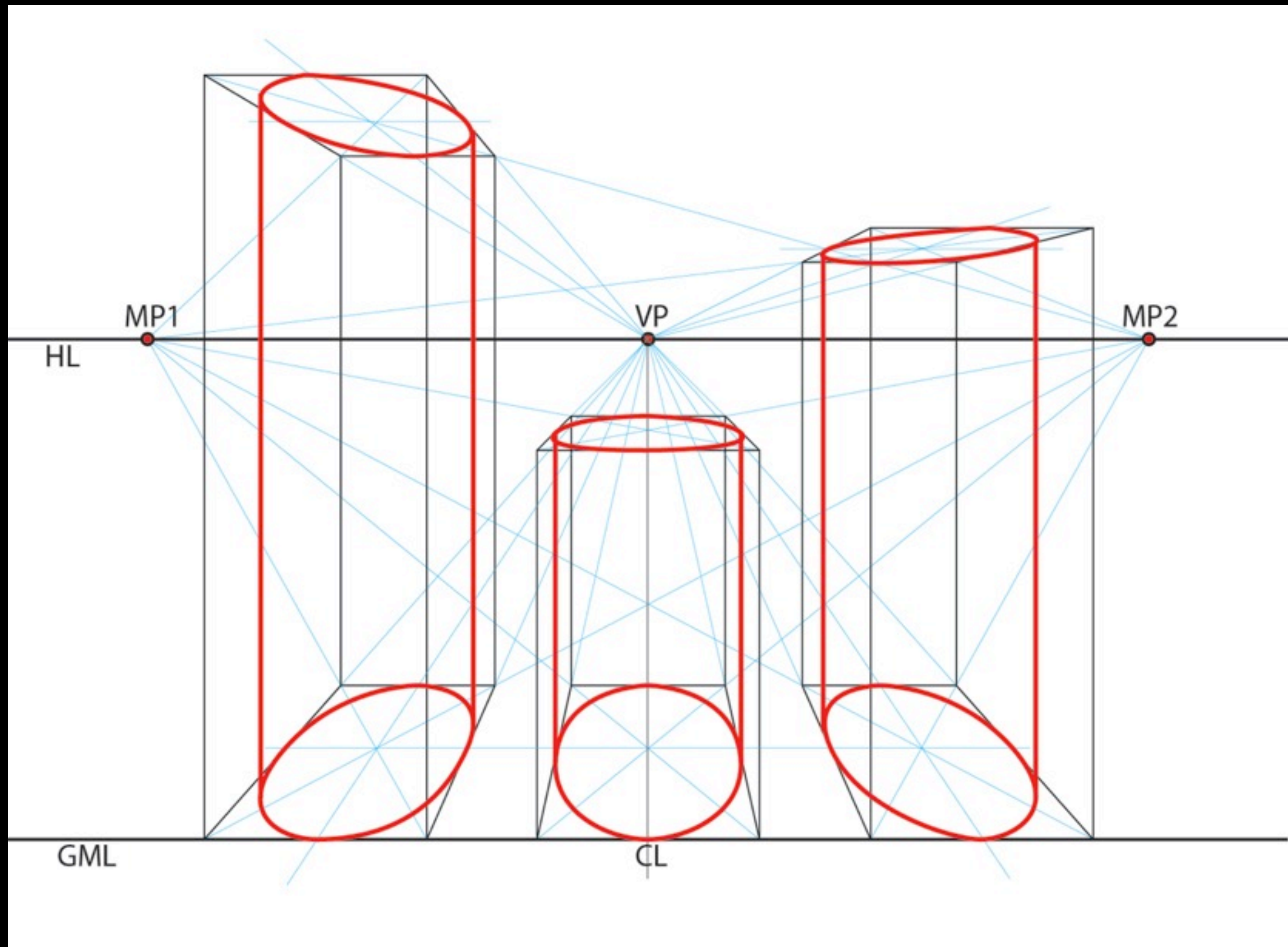
MP's 4.5 inches from the VP











Practice; Draw 3 Ellipses in 1 pt perspective.

HL 3 inches down from top

GML 4.5 inches down from HL

VP 5.5 inches from side of page

MP's 4.5 inches from the VP

Boxes can be any size, but 1 must end above the HL, and 1 must end below the HL.

Outline in colored pencil